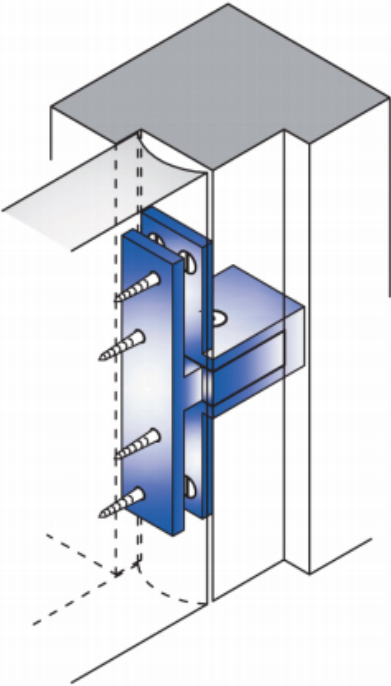


HARMON HINGES

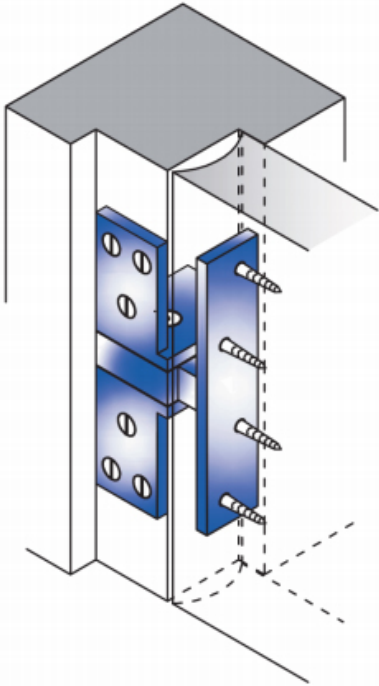
- Positive positioning stops
- Available for 1 3/8", 1 3/4", 2", 2 1/4" thick doors
- Can also be custom made for other door thicknesses
- Made from solid brass – standard and custom finishes offered
- Offer an aesthetically appealing option to any design application by allowing the door to swing clear of its opening (folds back into a pocket at a right angle to the closed position of the door)



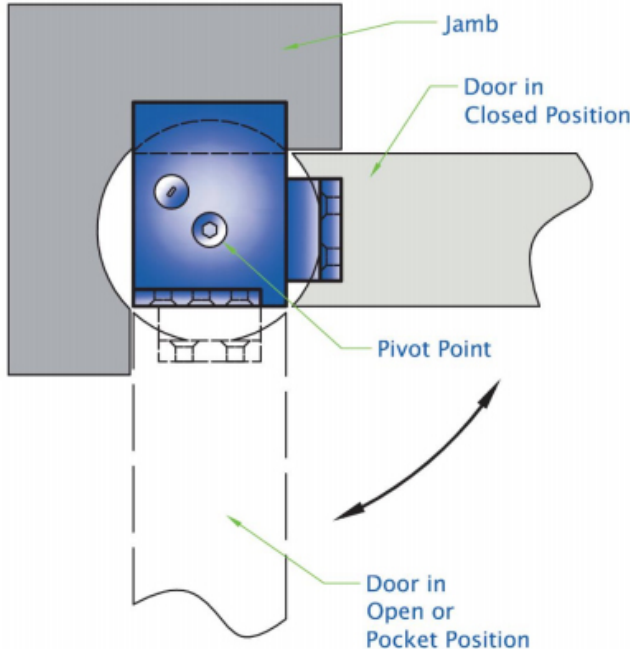
HARMON HINGES CONFIGURATIONS



Door in open or "pocket" position

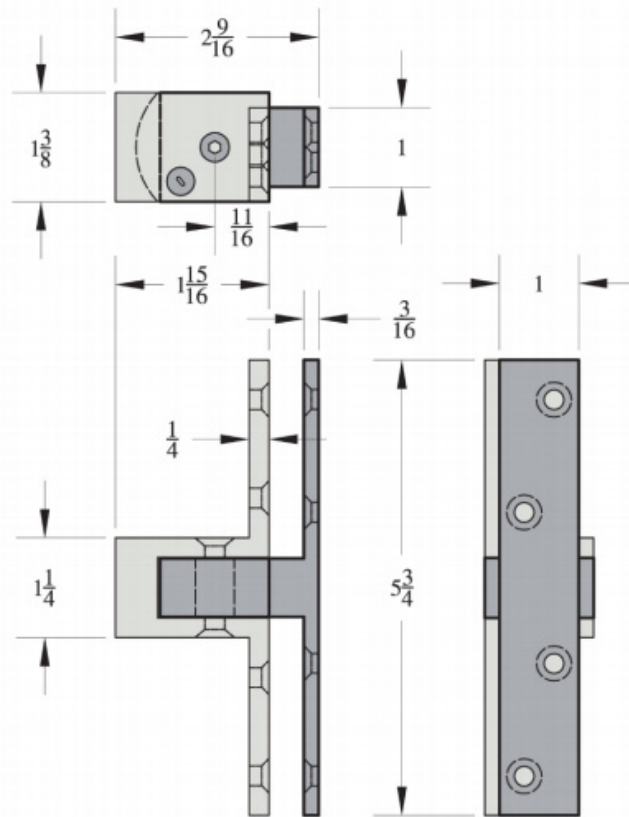


Door in closed position

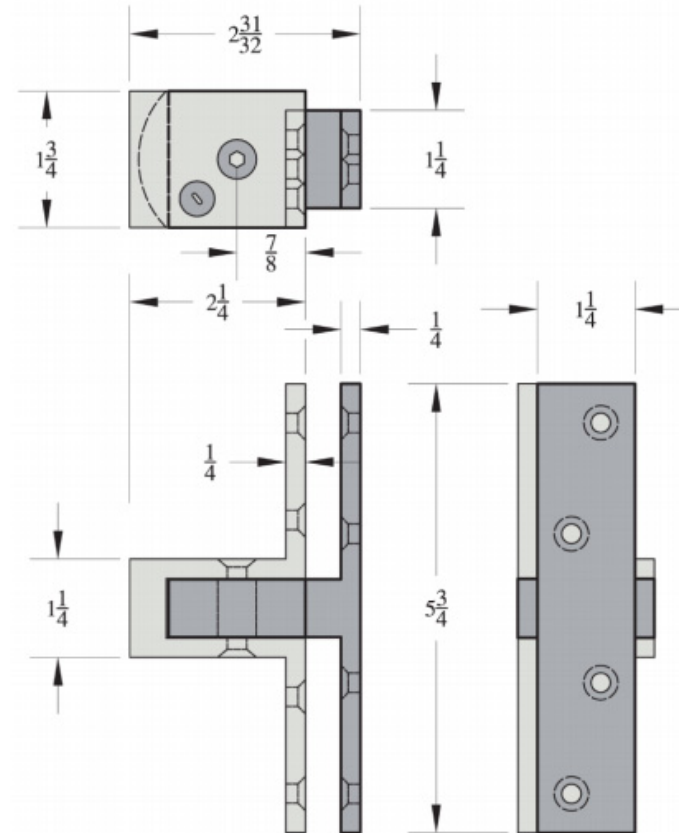


HARMON HINGES DIMENSIONS

For 1 3/8" Thick Doors

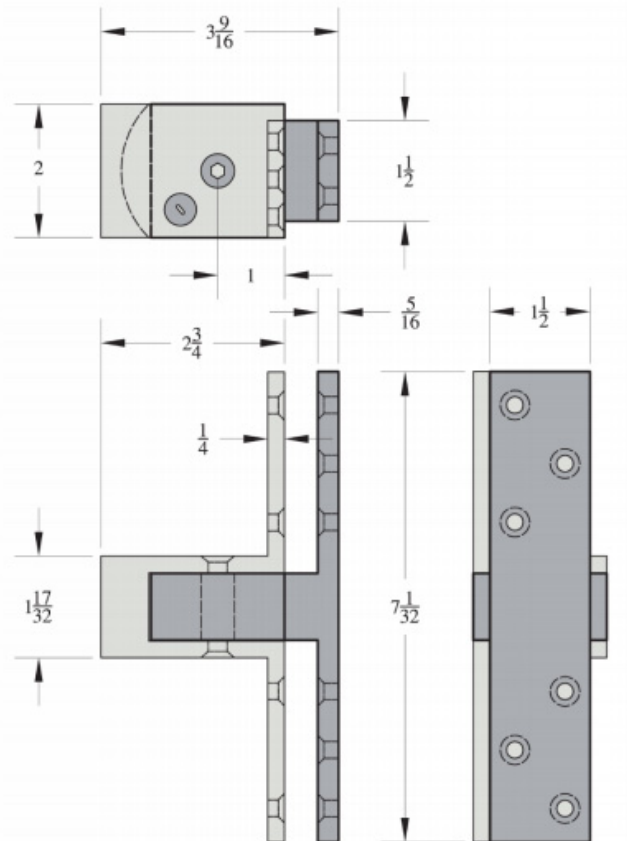


For 1 3/4" Thick Doors

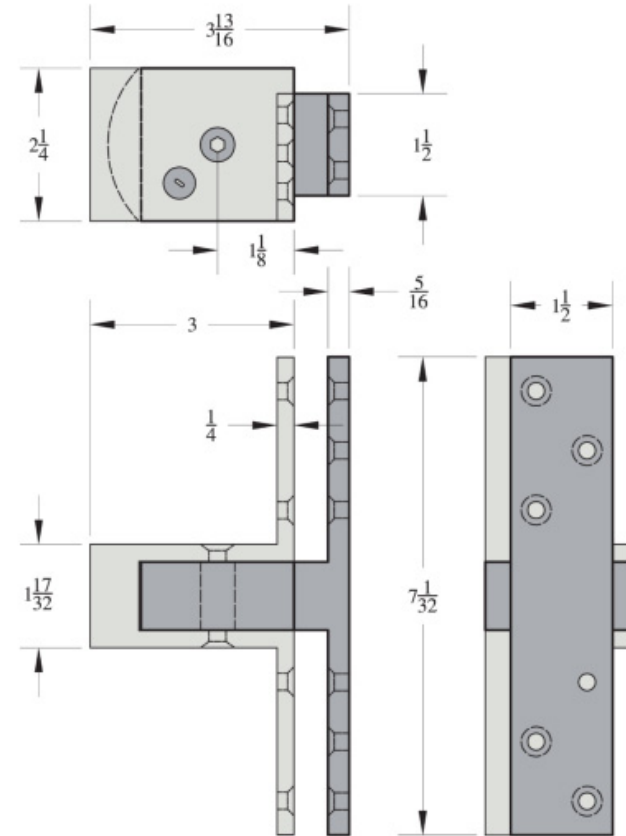


HARMON HINGES DIMENSIONS

For 2" Thick Doors

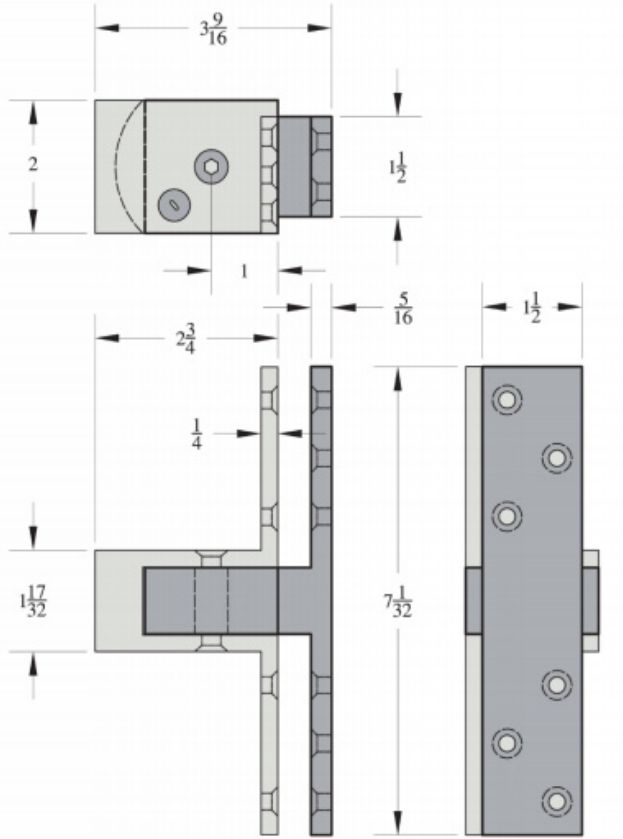


For 2 1/4" Thick Doors

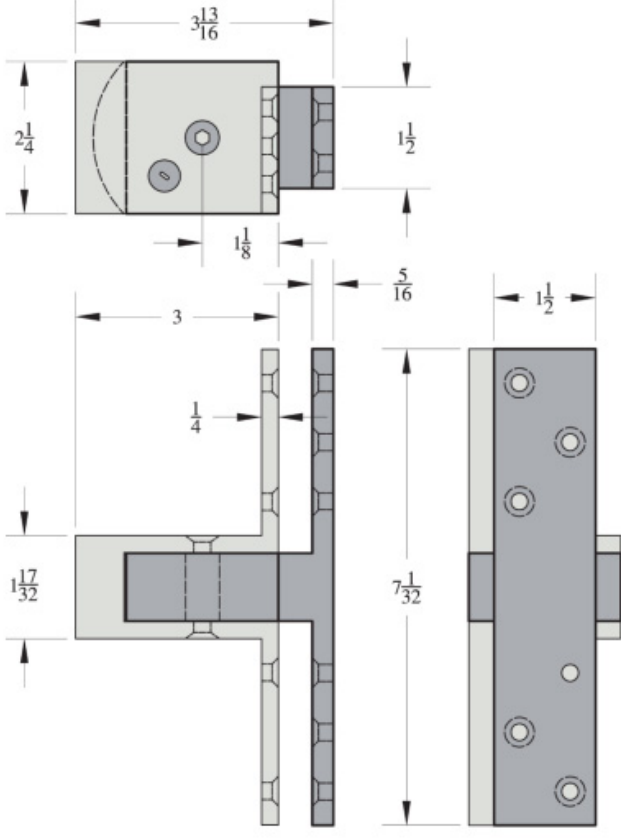


HARMON HINGES DIMENSIONS

For 2" Thick Doors



For 2 ¼" Thick Doors



The background of the image is a light gray architectural floor plan. It shows various rooms, door frames, and wall outlines. Some text from the plan is visible, such as '8'' on the left, 'F' in a room, and '10'0"' at the bottom right. The overall style is technical and minimalist.

Door Hardware

(914) 747-5462

doorhardwarebynicholas@gmail.com

BY NICHOLAS