

Light Duty Pivots

AP438 + AP34 SETS

- Predefined configurations for easy ordering and installation on doors up to 1 ¾" thick (for other door thicknesses, please refer to our custom Offset Pivot hinges)
- Made from solid brass and finished as required



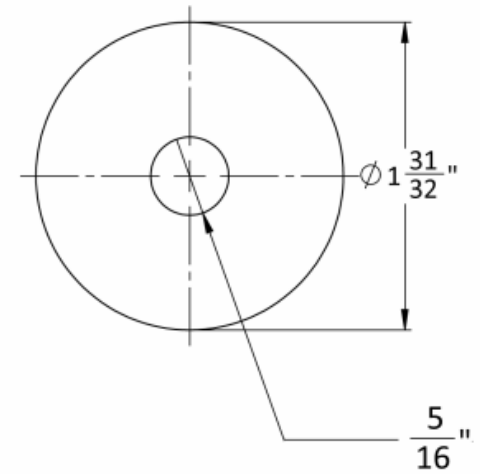
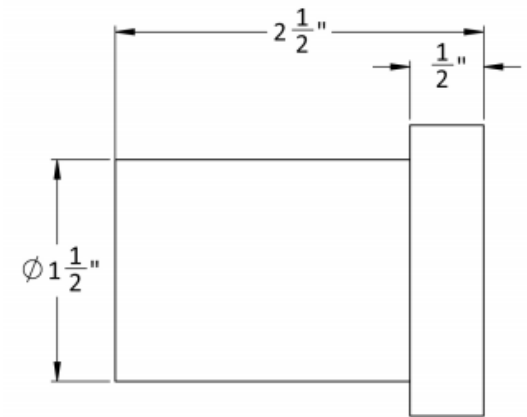
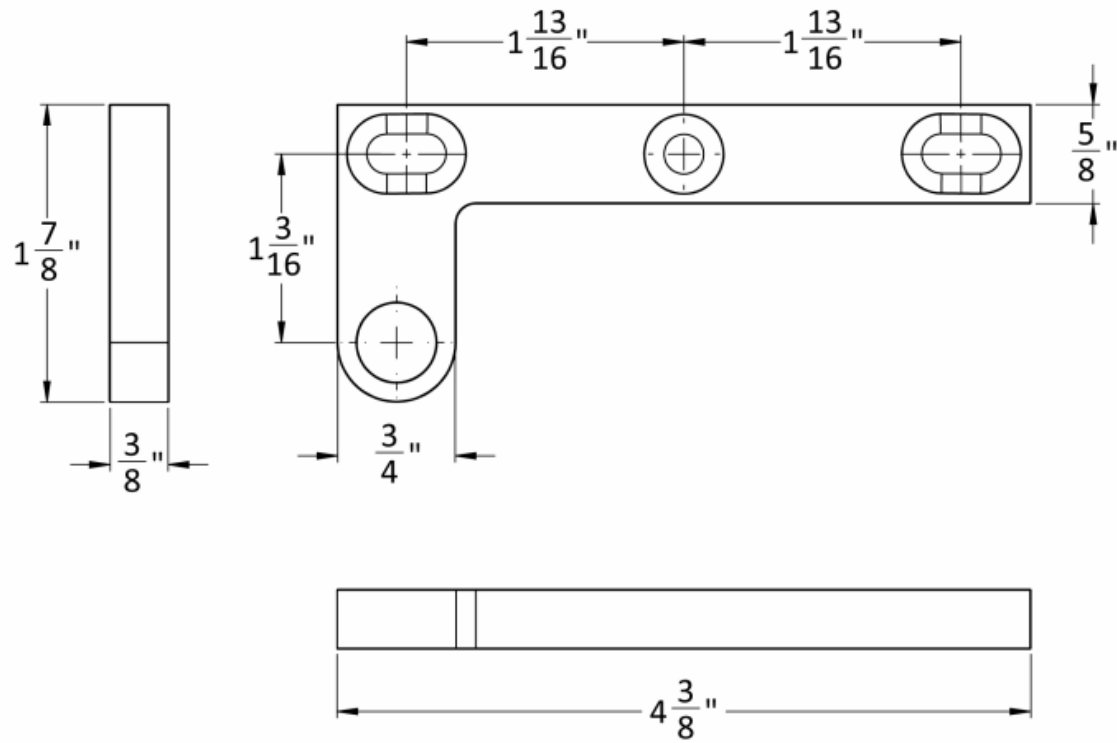
AP438 Set



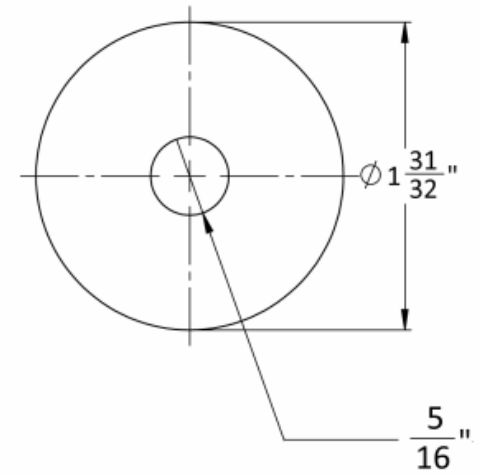
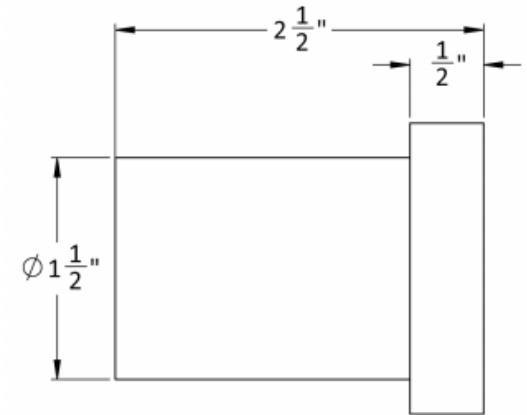
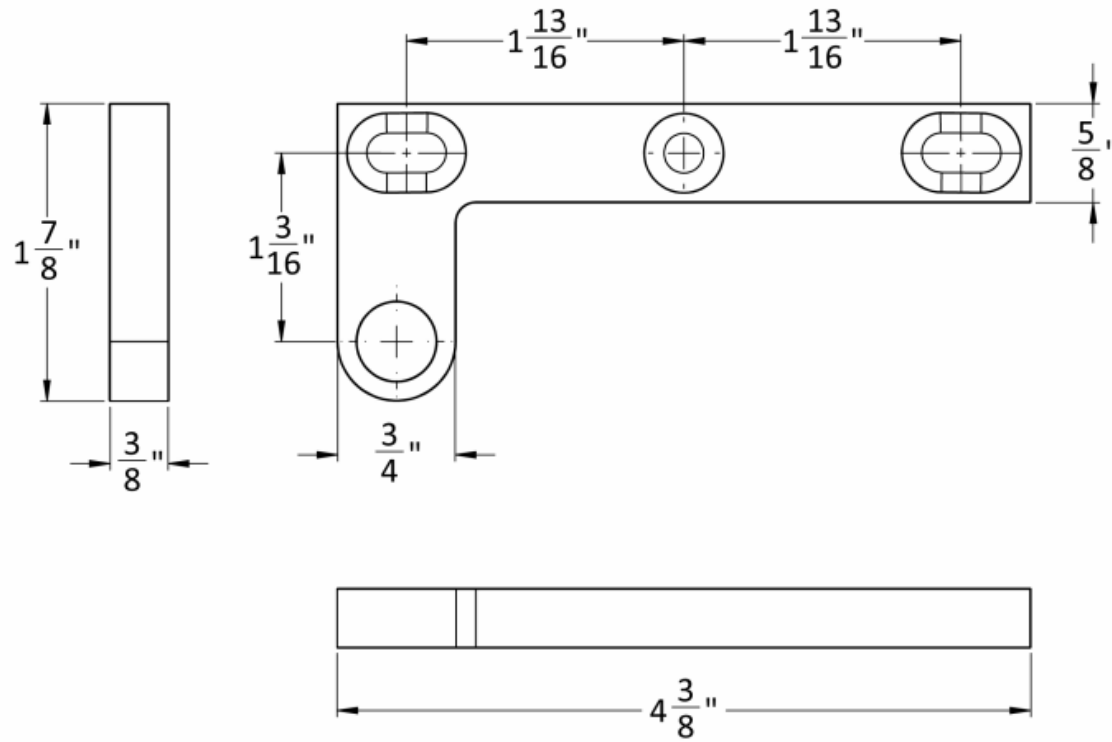
AP34



DIMENSIONS

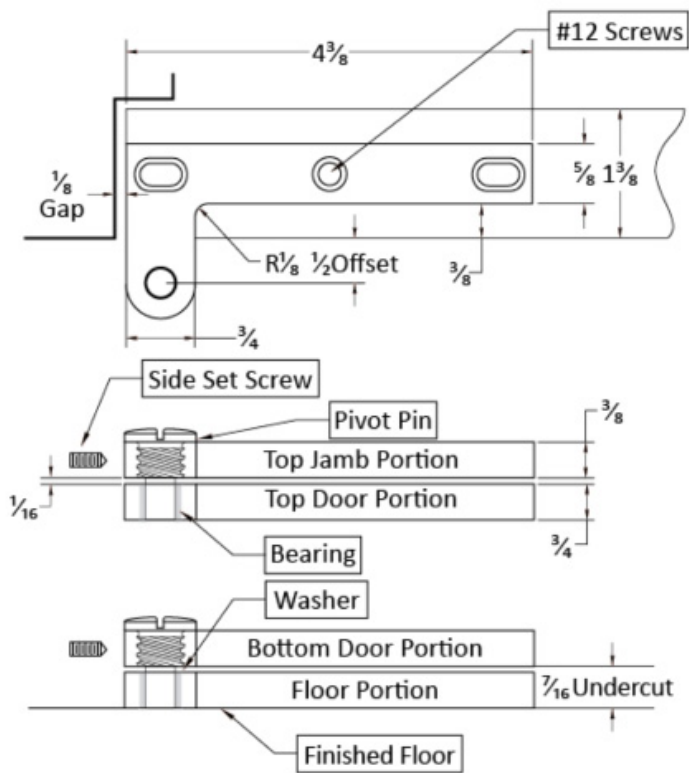


DIMENSIONS

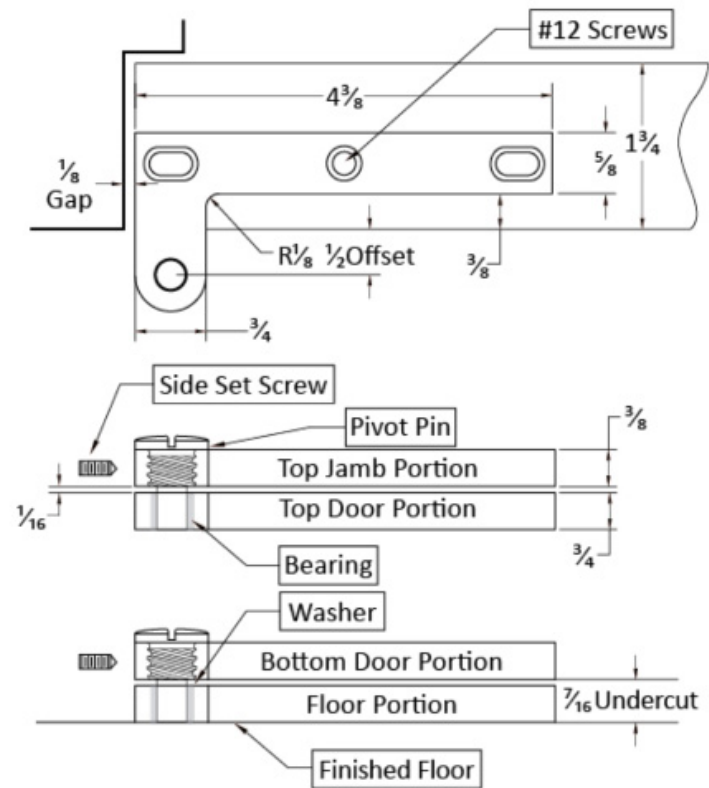


APPLICATIONS

**AP438 SET
INSTALLED ON 1³/₈" THICK DOOR**



**AP438 SET
INSTALLED ON 1³/₄" THICK DOOR**

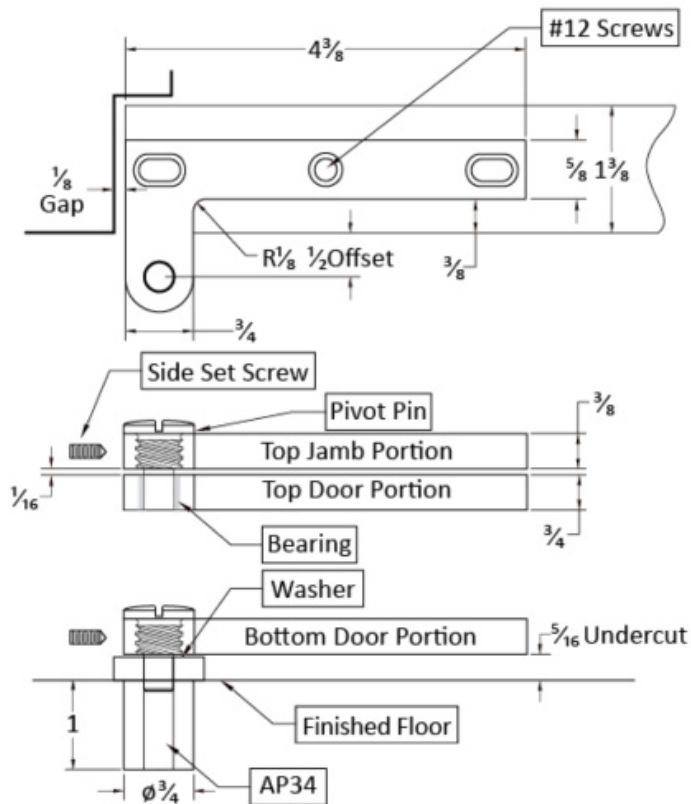


APPLICATIONS

AP438S

INSTALLED ON 1³/₈" THICK DOOR

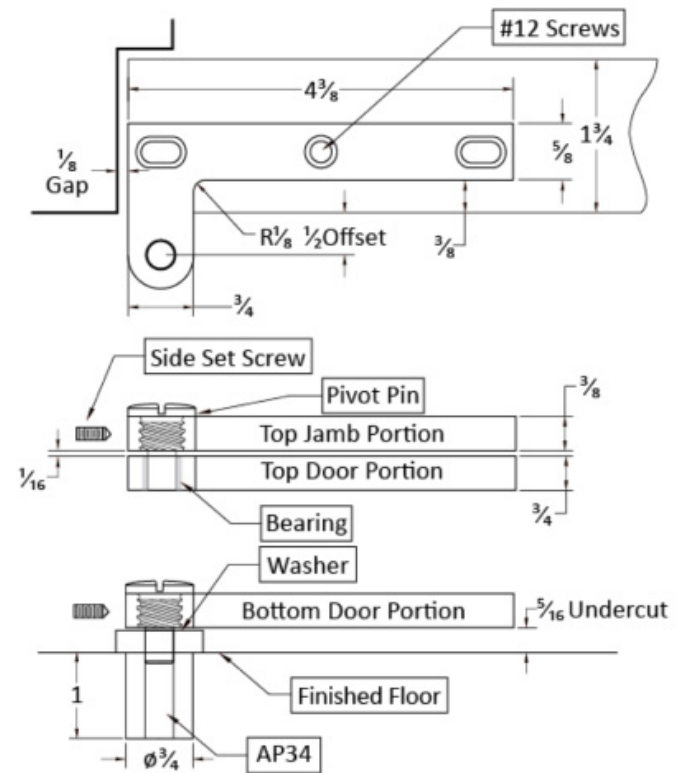
(includes three AP438 members for top jamb, top door, bottom door and the AP34 stud)



AP438S

INSTALLED ON 1³/₄" THICK DOOR

(includes three AP438 members for top jamb, top door, bottom door and the AP34 stud)



HOW TO SPECIFY



EXAMPLES

Light Duty Pivots | 1 3/8" Thick Door | 4 Members | Satin Brass
E.g.: AP438.US4

Light Duty Pivots with Stud | 1 3/8" Thick Door | Satin Nickel | RMS Program
E.g.: RMS.AP438S.US15

The background of the image is a light gray architectural floor plan. It shows various rooms, door frames, and wall lines. Some text from the plan is visible, including '8'' on the left, 'F' in a room, '10'01' at the bottom right, and 'EP' and 'CO' on the right side. The overall style is technical and minimalist.

Door Hardware

(914) 747-5462

doorhardwarebynicholas@gmail.com

BY NICHOLAS